



# CAIXAS

## LINHA PESADA

LINHA PESADA  
LINHA PESADA  
LINHA PESADA

### CENTRAL DE VENDAS

(11) 95456-6290  
(11) 94538-8656  
(11) 95796-0176  
(11) 95804-9330  
(11) 97895-9270  
(11) 95968-7415  
(11) 95824-7581


[vendas@supersoldas.com.br](mailto:vendas@supersoldas.com.br) (Alessandra)  
[andrea@supersoldas.com.br](mailto:andrea@supersoldas.com.br)  
[carla@supersoldas.com.br](mailto:carla@supersoldas.com.br)  
[evelyn@supersoldas.com.br](mailto:evelyn@supersoldas.com.br)  
[fabiana@supersoldas.com.br](mailto:fabiana@supersoldas.com.br)  
[fernanda@supersoldas.com.br](mailto:fernanda@supersoldas.com.br)  
[ketlyn@supersoldas.com.br](mailto:ketlyn@supersoldas.com.br)

**11637** / Retroescavadeira Case S/ Tampa  
580L / Ser. 2 580M/590 Inserto Invertido



528mm x 125mm

**11638** / Caterpillar 416-F2 Bocal 58mm  
Inferior



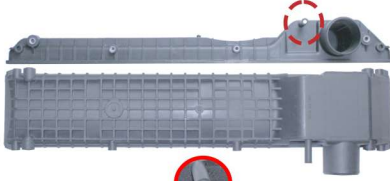
528mm x 125mm


**11639** / Caterpillar 416-F2 Bocal 58mm  
Superior C/ Retorno



528mm x 125mm 

**11729** / Caterpillar / Valtra / BH 180 / Massey  
New Holland Retorno - 11mm



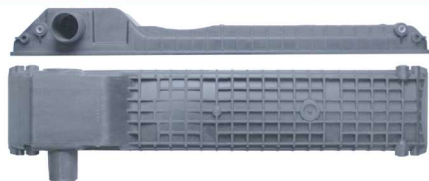
641mm x 125mm 

**11730** / Caterpillar / Valtra / BH 180 / Massey  
New Holland Retorno - 20mm



641mm x 125mm 

**11735** / Caterpillar / Valtra / BH 180 / Massey  
New Holland Bocal Invertido



641mm x 125mm

**11736** / Retroescavadeira Case C/ Tampa  
580L / Ser. 2 580M / 590



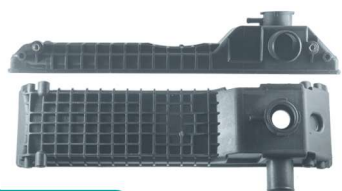
528mm x 125mm

**11737** / Retroescavadeira Case S/ Tampa  
580L / Ser. 2 580M / 590




528mm x 125mm

**11743** / Case Mx 35 New Holland Lb90  
C/ Tampa




570mm x 125mm

**11744** / Case Mx 35 New Holland Lb90  
S/ Tampa



570mm x 125mm

**11750** / Trator Case Mx 180



545mm x 144mm

**11751** / Trator Case Mx 180 C/ Tampa



545mm x 144mm

**11752** / Trator Case Mx 180 S/ Tampa




544mm x 144mm

**11753** / Caterpillar / Valtra / BH 180 / Massey  
New Holland Bocal S/ Retorno




641mm x 125mm

**11754** / Caterpillar / Valtra / BH 180 / Massey  
New Holland Bocal Invertido



641mm x 125mm

**11755** / Trator John Deere 2001>2011  
Inferior



545mm x 110mm

**11756** / Trator New Holland T1  
70 / 75 80 / 100 Superior




544mm x 105mm

**11757** / Trator John Deere 2001>2011  
Superior C/ Tampa e Retorno




545mm x 110mm

**11762** / Case Mx 35 New Holland Lb 90 C/ Tampa e Bocal Invertido




575mm x 125mm

**11763** / Case Mx 35 New Holland Lb 90 S/ Tampa e Bocal Invertido




575mm x 125mm

**11764** / Caterpillar / Valtra / BH 180 / Massey New Holland Bocal Fino



641mm x 125mm

**11765** / Trator New Holland TI 70 / 75 / 80 / 100 Inferior



545mm x 110mm

**11767** / Case MX 35 New Holland LB 90 Bocal Mangueira LE - 16mm




574mm x 125mm

**11769** / Case Mx35 New Holland LB 90 Bocal Mangueira LE - 21mm



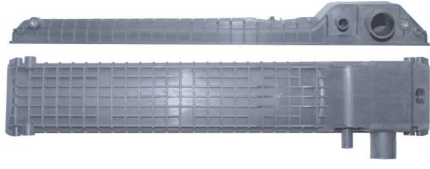
574mm x 125mm

**11780** / Caterpillar / Valtra / BH 180 / Massey New Holland Bocal Grosso S/ Retorno




730mm x 125mm

**11781** / Caterpillar / Valtra / BH 180 / Massey New Holland Bocal Fino C/ Retorno Grosso




730mm x 125mm

**11782** / Caterpillar / Valtra / BH 180 / Massey New Holland C/ Tampa Bocal Fino



730mm x 125mm

**11783** / Caterpillar / Valtra / BH 180 / Massey New Holland Bocal Grosso C/ Retorno Fino



730mm x 125mm

**11784** / Caterpillar / Valtra / BH 180 / Massey New Holland Bocal Fino S/ Tampa



730mm x 125mm

**11785** / Caterpillar / Valtra / BH 180 / Massey New Holland Bocal Grosso LE



730mm x 125mm

**11786** / Caterpillar / Valtra / BH 180 / Massey / New Holland Bocal Grosso LE C/ Porca



730mm x 125mm

**11787** / Caterpillar / Valtra / BH 180 / Massey C/ Retorno



730mm x 125mm

**11788** / Massey Ferguson Mangueira Fina



508mm x 110mm

**11789** / Massey Ferguson Mangueira Grossa



508mm x 110mm

**11790** / Case Mx35 New Holland Lb90 Sensor Lado Bocal



570mm x 125mm

**11791** / Massey Ferguson Inferior Mangueira Fina



513mm x 110mm

**11793** / Case Mx35 New Holland  
Lb90 S/ Tampa Rosca 3/8 BSP

**ROSCA 3/8**

572mm x 125mm

**11796** / John Deere 6000

510mm x 109mm

**11811** / Caterpillar / Valtra / BH 180 / Massey  
New Holland Retorno - 26mm

**26mm**

641mm x 125mm

**11812** / Case Mx35 New Holland  
Lb90 S/ Tampa Rosca 1/4 BSP

**ROSCA 1/4**

572mm x 125mm

**11813** / Case Mx35 New Holland  
Lb90 S/ Sensor

572mm x 125mm

**11814** / Massey Ferguson  
Mangueira Reta

510mm x 110mm

**11815** / Hyster F50 / H55 / 55XM  
Superior

465mm x 114mm

**11816** / Hyster F50 / H55 / 55XM  
Inferior Sem Dreno

465mm x 114mm

**11817** / Hyster F50 / H55 / 55XM  
Inferior Com Dreno

465mm x 114mm

**11818** / Case Puma T7070 / T7060  
New Holland T7000 Inferior

642mm x 147mm

**11819** / Case Puma T7070 / T7060  
New Holland T7000 Superior

642mm x 147mm

**11820** / Hyster Moderna Superior  
Mangueira Lado Direito

463mm x 113mm

**11821** / Hyster Moderna Inferior  
Com Dreno

463mm x 113mm

## CAIXAS PLASTICAS DE TRATORES E EMPILHADORES

